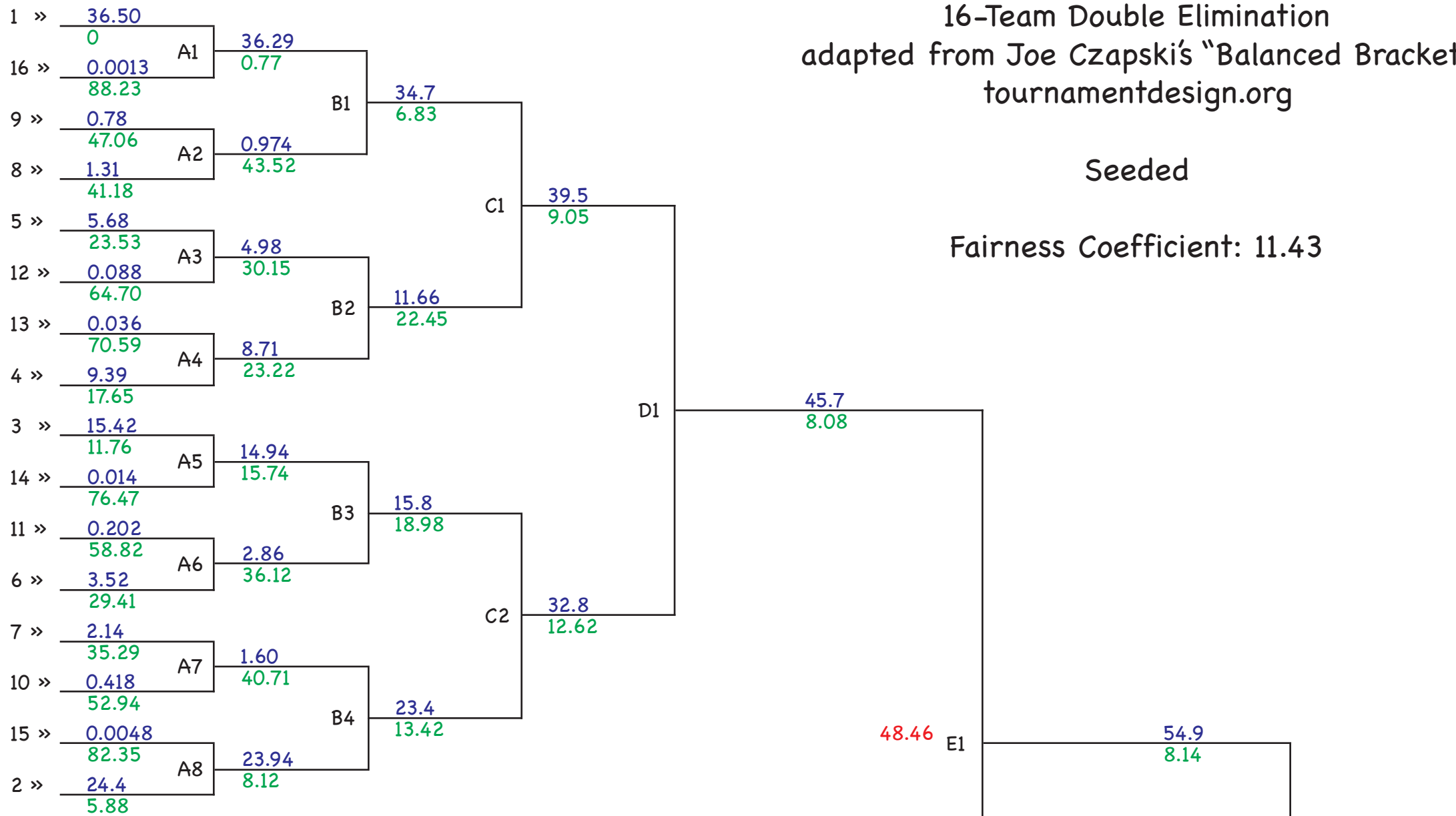


16-Team Double Elimination
 adapted from Joe Czapski's "Balanced Bracket"
 tournamentdesign.org

Seeded

Fairness Coefficient: 11.43



Analysis: 10,000,000 trials, 2/5/2017

percentage wins from this line
 average error rate for this line

percentage repeat pairing for this match
 (zero if not shown)

